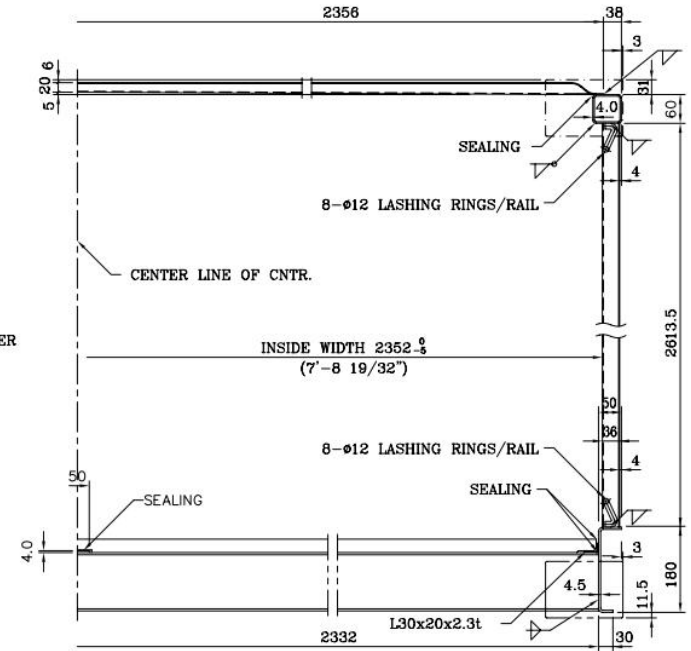
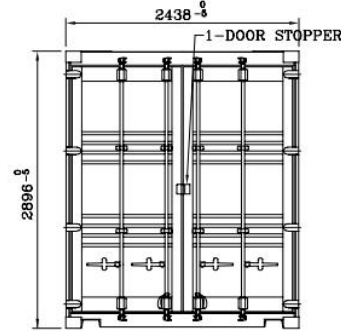
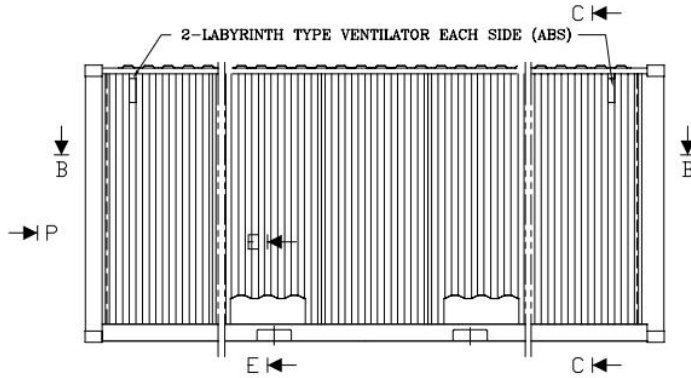


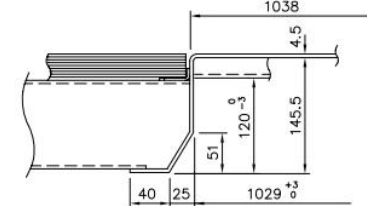
VIEW P



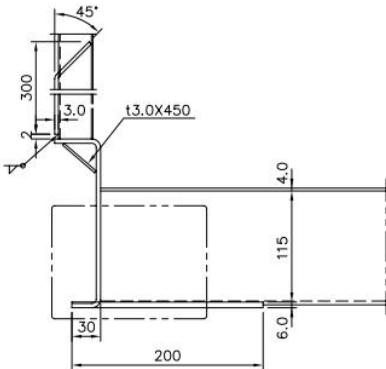
SEC. C-C; S:1/10



BASE ARRANGEMENT



SEC. D-D; S:1/6



SECTION E-E, S:1/6

PRINCIPAL PARTICULARS

MAX. GROSS WEIGHT	32500 KG 71650 LBS
TARE WEIGHT	4040 KG 8910 LBS
MAX. CARGO WEIGHT	28460 KG 62740 LBS
CUBIC CAPACITY	76.4 M ³ 2698 FT ³
EXTERNAL DIMENSION	12192Lx2438Wx2896H 40'-0" x 8'-0" x 9'-6"
INTERNAL DIMENSION	12031Lx2352Wx2700H 39'-5 21/32"x7'-8 19/32" x 8'-5 1/16"
DOOR OPENING DIMENSION	2340Wx2585H 7'-8 1/8"x8'-5 49/64"
CORNER CASTING	ISO TYPE
STACKING CAPACITY/POST	86400 KG190500 LBS
RACKING TEST LOAD	15240 KG 33600 LBS
FLOOR TEST LOAD (TRUCK)	7260 KG 16000 LBS

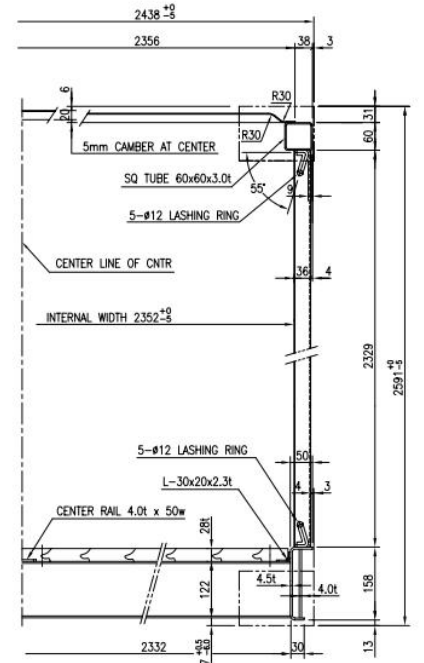
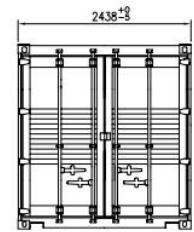
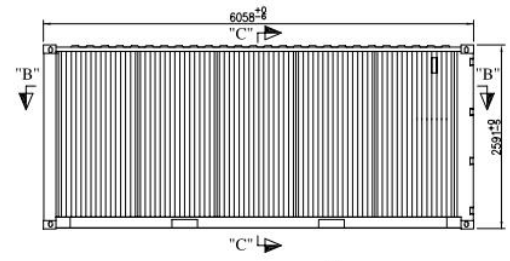
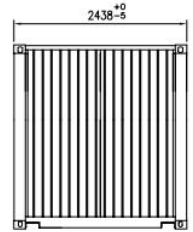
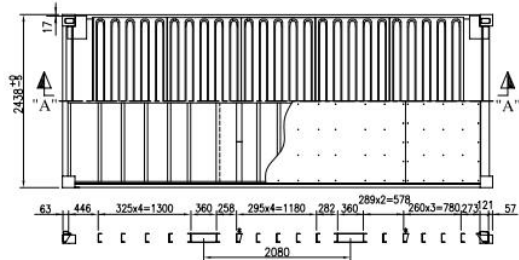
TITLE: 40'x8'x9'6" GENERAL ASSEMBLY

SCALE: SIZE: A3

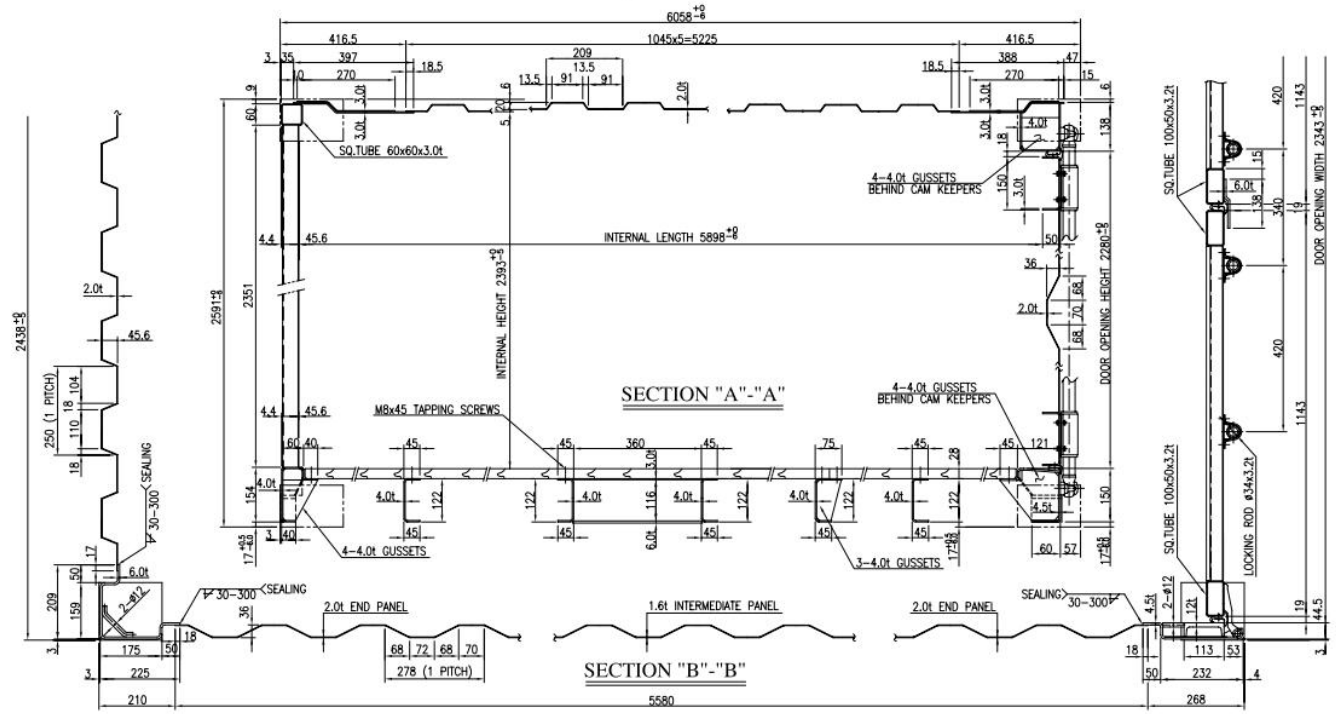
WEIGHT: KG. QTY.:

SHEET 1 OF 2 SHEETS

ISSUE:



SECTION "C" - "C"



SECTION "A" - "A"

SECTION "B" - "B"

MAX. GROSS WEIGHT	30480 KG	67200 LBS
TARE WEIGHT	2185 KG	4820 LBS
MAX. CARGO WEIGHT	28295 KG	62380 LBS
CUBIC CAPACITY	33.2 M ³	1173 FT ³
STACKING CAPACITY/POST	86400 KG	190500 LBS
RACKING TEST LOAD	15240 KG	33600 LBS
FLOOR TEST LOAD	7260 KG	16000 LBS
EXTERNAL	HEIGHT	8'-6"
	WIDTH	8'
	LENGTH	20'
INTERNAL	HEIGHT	7'-10 7/32"
	WIDTH	7'-8 19/32"
	LENGTH	19'-4 13/64"
DOOR OPENING	HEIGHT	7'-5 49/64"
	WIDTH	7'-8 1/4"

DRAWN BY	DESIGNED BY	CHECKED BY	APPROVED BY
SCALE :	DATE :	OWNER :	MODEL :